

**NP430-TA**

Stainless Steel [Compacted] 200 litre drum Overpack / Puck Drum



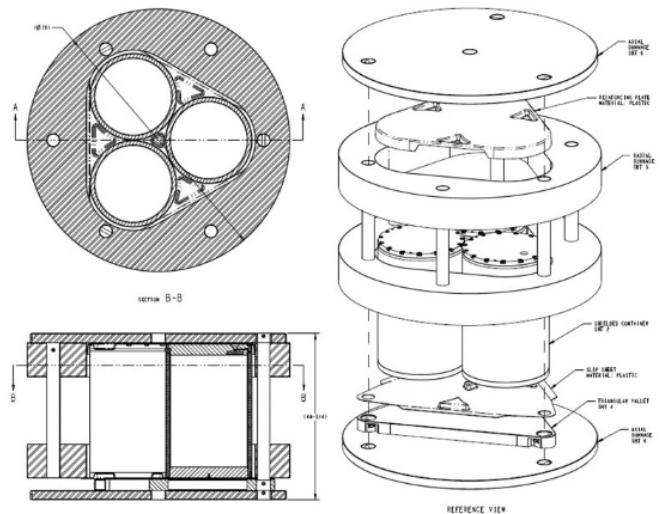
**NuPac® NP430-TA**

Further development on the licensed NUPAC® family of packages has resulted in the creation of a specialized TYPE-A container for management (overpacking and grouting) of compacted 200 litre drums (“waste pucks”).

The NuPac® Model NP430-TA is designed for the transport, storage and ultimate disposal of TYPE A waste streams.

Designed in the USA and manufactured under licence in North America, Europe and Asia in compliance with ASME NQA-1 and/or ISO 9001 Quality Assurance programmes.

All materials used in the construction will be able to withstand extreme temperature ranging from -40 °C (-40 °F) to 70 °C (158 °F) without effect on container's strength and water tightness.



*Stillage Option for shipping*

For More Information Contact:

# NP430-TA

Stainless Steel [Compacted] 200 litre drum Overpack / Puck Drum



## Technical Specification for NuPac® NP430-TA

<b>External Dimensions</b>		
	mm	in
DIAMETER	830	32.7
Height (overall)	1074	42.3
<b>Internal Dimensions (nominal)</b>		
	mm	in
DIAMETER	648	25.5
Height	974	38.3
<b>Internal Capacity (nominal)</b>		
	LITRES	GALLONS
Capacity	321	85
<b>Weights</b>		
	Kg.	lbs.
Maximum Gross Weight	1600	3527
Maximum Payload	1500	3307
Tare Weight	100	220
(Tolerance ± 2%)		

\*Type IP2 Certification is provided in accordance with USDOT 49CFR §173.411(b)(6) and IAEA SSR-6 §629. Maximum Payload 18,727 Kg / 41,292 lbs.